



T&S BRASS AND BRONZE WORKS, INC.

2 Saddleback Cove / P.O. Box 1088
Travelers Rest, SC 29690

Model No.

B-0579-01

Item No.

Travelers Rest, SC: 800-476-4103 • Simi Valley, CA: 800-423-0150 • Fax: 864-834-3518 • www.tsbrass.com



ADA Compliant

This Space for Architect/Engineer Approval

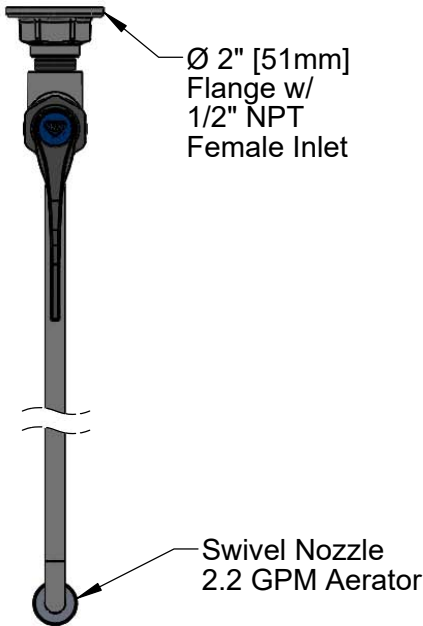
Job Name _____ Date _____

Model Specified _____ Quantity _____

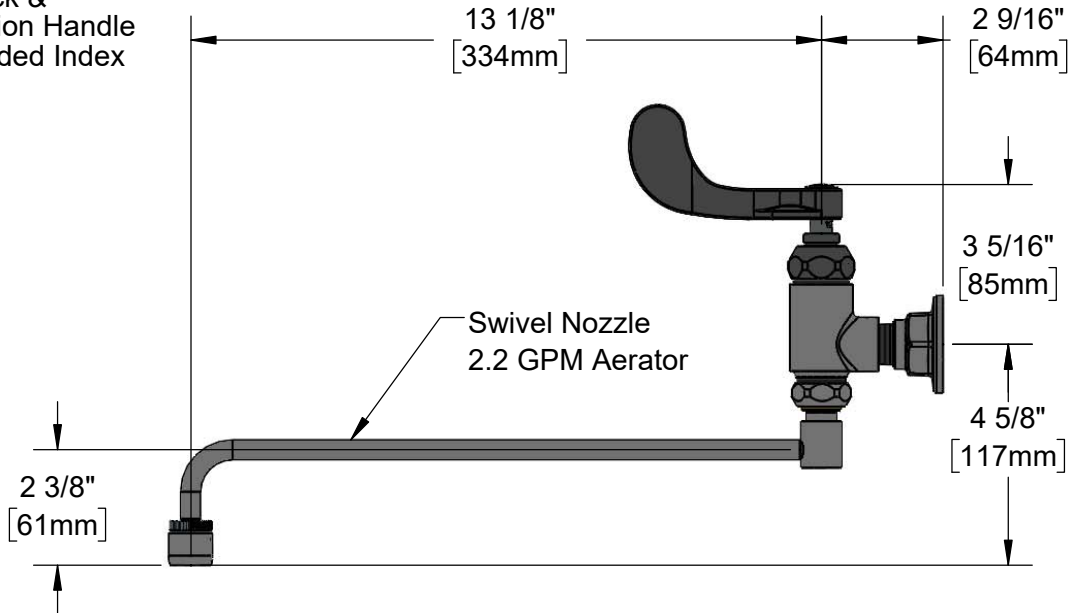
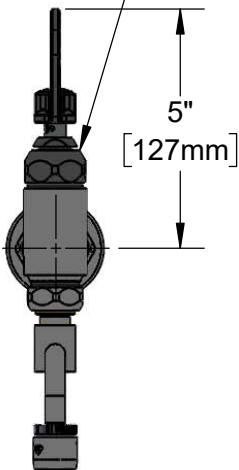
Customer/Wholesaler _____

Contractor _____

Architect/Engineer _____



Quarter-Turn Eterna Cartridge w/ Spring Check & 4" Wrist Action Handle w/ Color Coded Index



Rough-In Requirement:
Ø 1" [25mm] Mounting Hole

Product Specifications:
Wall Mount Range Faucet, Quarter-Turn Eterna Cartridge w/ Spring Check, 4" Wrist Action Handle, Swivel Nozzle w/ 2.2 GPM Aerator Outlet & 1/2" NPT Female Thread Inlet

Product Compliance:
ASME A112.18.1 / CSA B125.1
NSF 61 - Section 9
NSF 372 (Low Lead Content)
ANSI A117.1 (ADA)



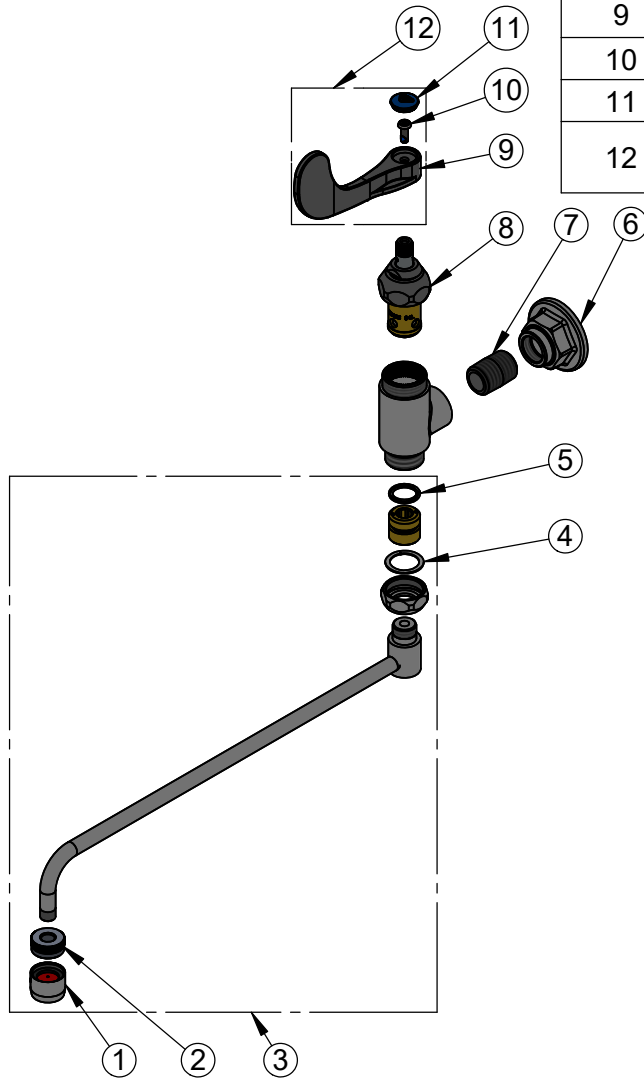
T&S BRASS AND BRONZE WORKS, INC.
 2 Saddleback Cove / P.O. Box 1088
 Travelers Rest, SC 29690

Model No.
B-0579-01

Item No.

Travelers Rest, SC: 800-476-4103 • Simi Valley, CA: 800-423-0150 • Fax: 864-834-3518 • www.tsbrass.com

ITEM NO.	SALES NO.	DESCRIPTION
1	B-0199-01	2.2 GPM Aerator, 55/64-27 UN Female
2	001624-25	Adapter, 1/8" Female x 55/64-27 UN Male
3	001624-25	Swivel Nozzle w/ 2.2 GPM Aerator
4	009538-45	Swivel Washer
5	001074-45	O-Ring
6	000013-40	Flange, 1/2" NPT Wall Mount
7	002534-25	Close Nipple, 1/2" NPT
8	012443-40NS	Eterna Cartridge, LTC
9	B-WH4-NS	Wrist Action Handle - New Style
10	000925-45	Lab Handle Screw
11	018506-19NS	Blue Button Index, Press-in
12	B-WH4C-NS	4" Wrist Action Handle w/ Blue Index & Screw



Product Specifications:
 Wall Mount Range Faucet, Quarter-Turn Eterna Cartridge w/ Spring Check, 4" Wrist Action Handle, Swivel Nozzle w/ 2.2 GPM Aerator Outlet & 1/2" NPT Female Thread Inlet

Product Compliance:
 ASME A112.18.1 / CSA B125.1
 NSF 61 - Section 9
 NSF 372 (Low Lead Content)
 ANSI A117.1 (ADA)